

# THE NEW HUCK® 316 (A4) STAINLESS STEEL MAGNA-LOK®

Engineered for superior corrosion resistance

**STAINLESS STEEL**

**316 Marine grade stainless steel**






Excellent corrosion resistance

**Austenite stainless steel**

18% Chromium  
12% Nickel

## BENEFITS

### COMBINED WITH ALL THE BENEFITS OF USING A HUCK MAGNA-LOK

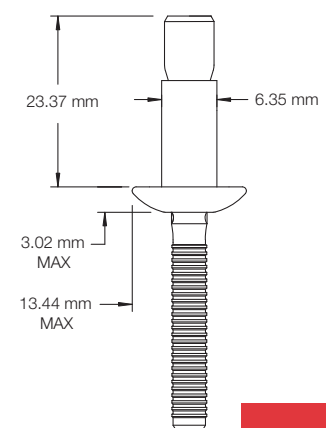
-  **WIDE GRIP RANGE**  
Accommodates large variations in joint thickness
-  **EXCELLENT GAP CLOSURE CAPABILITY**
-  **FLUSH PINBREAK**  
No catching on clothes, skin or goods. Quick and easy visual inspection
-  **INTERNAL PIN LOCKING MECHANISM**  
Secure within the rivet body and protected from corrosion
-  **OUTSTANDING HOLE FILLING ON THE BLIND SIDE**  
Excellent joint tightness and resistant to water ingress\*

## STRENGTH, GRIP RANGE AND HOLE DIMENSION INFORMATION

Product Code	Head Style	Min. Grip (mm)	Max. Grip (mm)	Shear (kN) Min. Val.	Tensile (kN) Min. Val.	Pin Retention (kN)	Min. Hole Dia (mm)	Max. Hole Dia (mm)
MGLP-316U8-6	Protruding	2.03	9.53	10.5	8.0	0.88	6.62	6.90

## TOOLING REQUIRED

Type	Tool	Nose Assembly	HuckForce range	Hose Set
Hydraulic	2480L	99-3305L	HK32-002	3.64 m
Pneumatic	202V / 2025LB	99-3305 / 993305L	Not applicable	Not applicable



Markets

- Marine
- Tank manufacturers
- Off-shore equipment
- Food industry
- Medical equipment
- Chemical storage

Disclaimer  
\*Individual fastener benefits will vary depending on the application they are used in. Please discuss with your Star Fasteners (UK) Ltd. Customer Manager prior to fastener choice. The information contained in this publication is only for general guidance with regard to properties of the products shown and/or the means for selecting such products, and is not intended to create any warranty, express, implied, or statutory; all warranties are contained only in Star Fasteners (UK) Ltd. written quotations, acknowledgements, and/or purchase orders. It is recommended that the user secure specific, up-to-date data and information regarding each application and/or use of such products.

