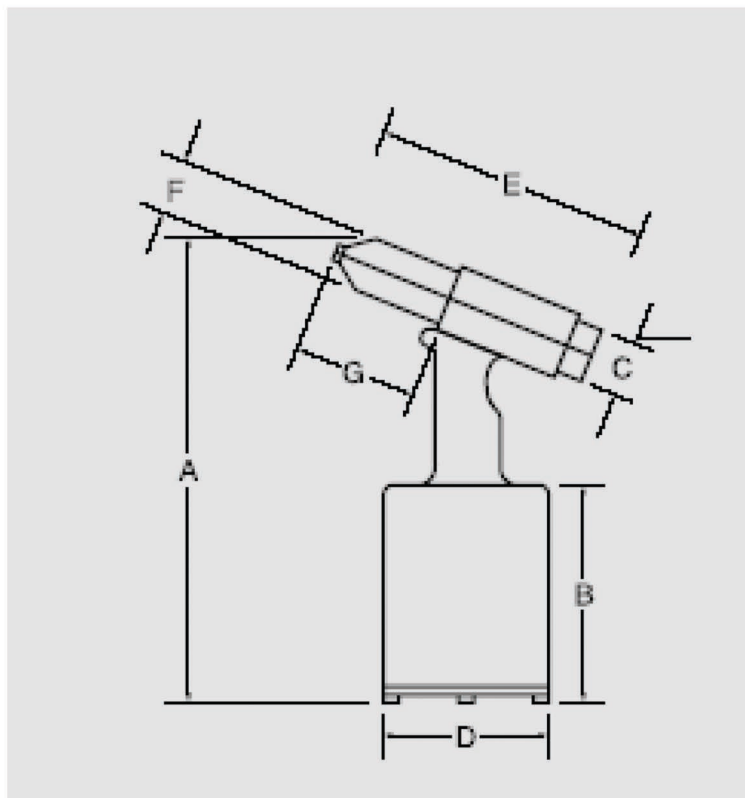


Dimensions

A:	273.0 mm
B:	114.3 mm
C:	38.1 mm
D:	76.2 mm
E:	152.4 mm
F:	23.3 mm
G:	88.9 mm

Weight: 1.5 kg



V-2

Installs: 2.4mm (3/32") to 4.8mm (3/16") diameter, non-structural, rivets in all materials

Capacity: 8.63 kN

Stroke: 14mm

Recommend airline pressure: 5.86 – 6.55 bar

Weight: 1.45 Kg

