

507

Hydraulic Powered Installation Tool

Specifications

Weight:

19.5 kg (43 lbs.)

Stroke:

63.5mm (2.5 in.)

Operating Hydraulic Pressures:

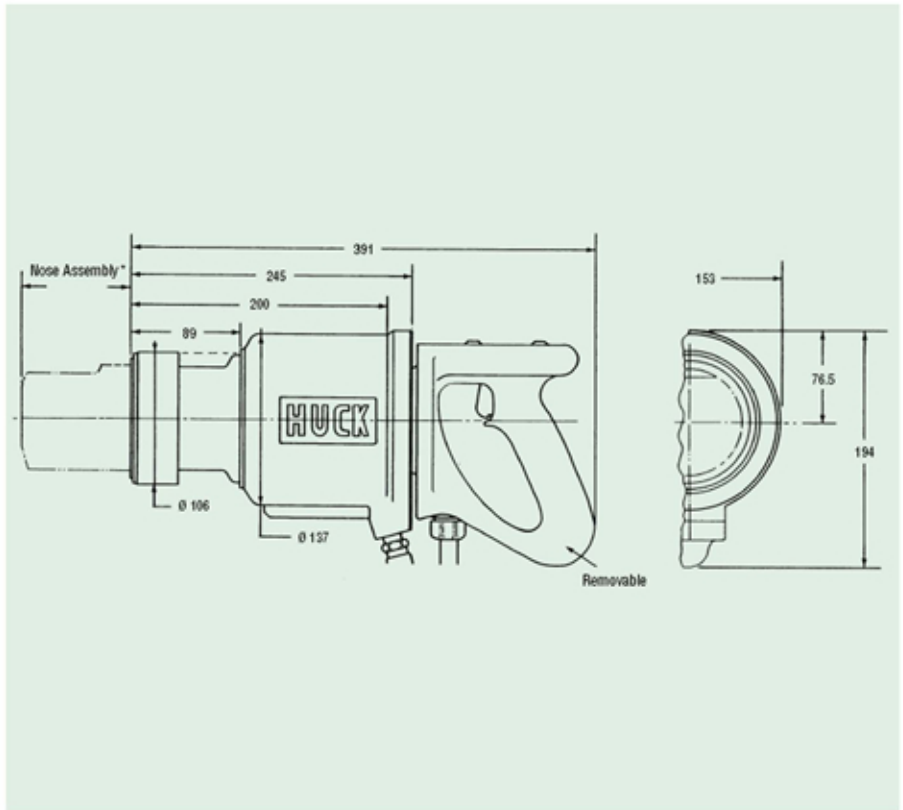
Pull-393 bar (5,400 psi)

Return-165 bar (2,460 psi)

Capacity:

336.73 kN @ 393 bar

(75700 lbs @ 5,400 psi)



Nose assemblies are to be ordered separately

Compatible Fastener

Type	Diameter	Nose Assembly
C50L	25.4mm (1")	99-5016, 99-5016FP, 99-5017
C50L	28.6mm (1 1/8")	99-5019, 99-5019FP, 99-5020
MHP/HUCKFIT	22mm	99-5416
MHP/HUCKFIT	24mm	99-5418



The 507 is a heavy-duty tool sized for the installation of a number of larger LockBolt fasteners. This rugged tool provides high-speed installation in a wide range of production applications.