

2600

Hydraulic Powered Installation Tool

Specifications

Weight:

3.3 kg (7.3 lbs.)

Stroke:

31 mm (1.22 in.)

Operating Hydraulic Pressures:

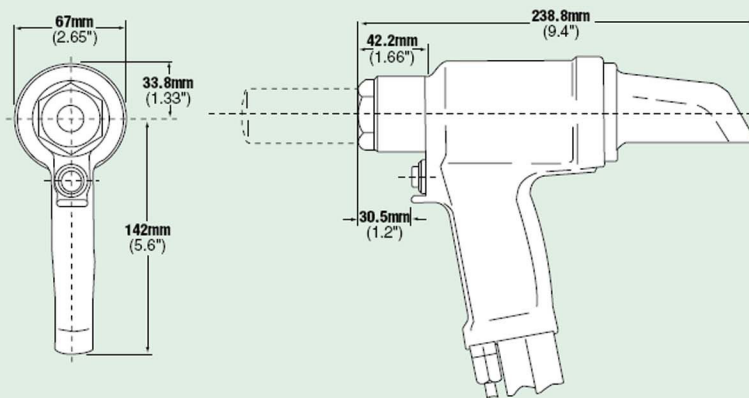
Pull-393 bar (5,700 psi)

Return-193 bar (2,800 psi)

Capacity:

61.56 kN @ 393 bar

(13839 lbs @ 5700 psi)



Nose assemblies are to be ordered separately

Compatible Fastener

Type	Diameter	Nose Assembly
BOM	7.9 mm (⁵ / ₁₆ "	99-3119
	9.5 mm (³ / ₈ "	99-3122
C6L/C120L/C150	9.5 mm (³ / ₈ "	99-2663
MAGNA-GRIP	7.9 mm (⁵ / ₁₆ "	99-3217
	9.5 mm (³ / ₈ "	99-3220, 99-3220-2



The Model 2600 is a lightweight and versatile installation tool designed use with a wide range of HUCK blind fasteners and HuckBolt fasteners. The tool's compact size allows it to fit into limited clearance applications, while its light weight provides for outstanding operator productivity.